

PRODUCT DATA

Piezoelectric Accelerometer Miniature DeltaTron[®] Accelerometers — Types 4517 and 4517-002

FEATURES AND USES

- Ground insulated (Type 4517-002)
- Hermetically sealed
- High frequency
- Low weight
- Low impedance
- Adhesive mounting
- Detachable cable
- Measurements in confined spaces
- Measurements on delicate structures

Description

Types 4517 and 4517-002 are piezoelectric Shear accelerometers with a side connection. Their low weight makes them an excellent choice for measurement on delicate structures and small objects. The sensors feature a miniature 3–56 UNF connector supplied with a special, detachable, low-noise cable that terminates in a 10–32 UNF female connector. Types 4517 and 4517-002 are mounted on the object adhesively. A removal wrench is supplied for easy removal of the transducer.

Characteristics

The piezoelectric accelerometers feature built-in preamplifiers. The sensitivity is expressed in terms of voltage per unit acceleration (mV/g).

In the Shear design, the piezoelectric element undergoes shear deformation as in the DeltaShear[®] design. Two rectangular slices of piezoelectric material are arranged on each side of a rectangular centre post. This design gives a high degree of linearity, and excellent immunity to base bending and temperature fluctuations. The signal is collected and amplified in the built-in amplifier. The housing material is titanium and the sensing element is quartz.

Calibration

The transducers are individually calibrated using state-of-the-art random FFT technology, providing an 800-point high-resolution calibration (magnitude and phase), ulti-



mately giving a unique characterisation and securing the integrity of the vibration measurement.

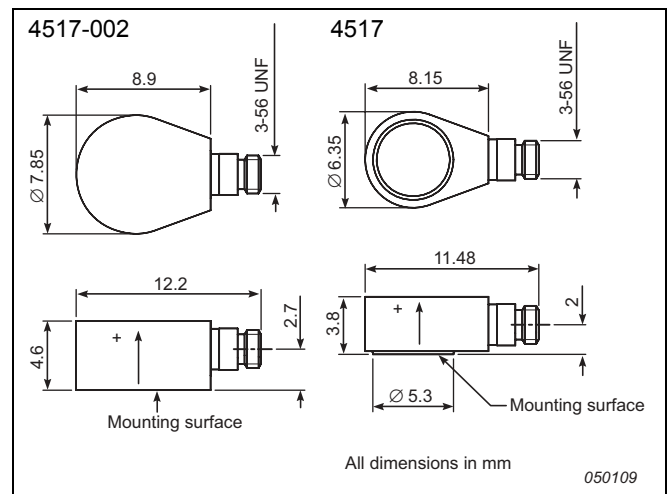
The sensitivity given on the calibration chart has been measured at 159.2 Hz with a 95% confidence level, using a coverage factor $k = 2$.

Versions

Type 4517-002 has an anodized case providing electrical insulation.

Recommended Mounting

Due to the small size, careful mounting is required to ensure correct operation over the full frequency range of the accelerometer.

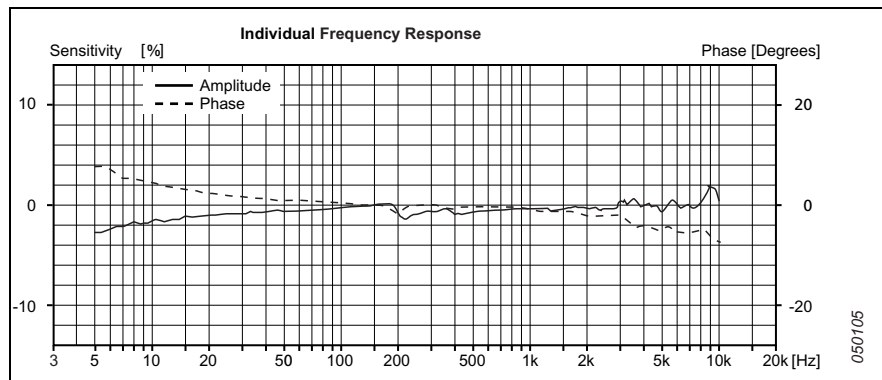


Specifications – Miniature DeltaTron Accelerometers Types 4517 and 4517-002

	Units	4517	4517-002
Dynamic Characteristics			
Voltage Sensitivity (@ 160Hz)	mV/g	10 ± 10%	
Measuring Range	g	± 500	
Frequency Response		See typical amplitude response	
Mounted Resonance Frequency	kHz	75	
Amplitude Response ±10% (typical) ^a	Hz	1 to 20000	
Residual Noise	mg	6	
Transverse Sensitivity	%	<5	
Electrical Characteristics			
Output Impedance	Ω	< 100	
DC Output	At room temperature	V	
Bias Voltage	In specified temp. range	V	
Power Supply		mA	
Start-up Time		s	
Grounding		Case grounded	Insulated
Environmental Characteristics			
Temperature Range	°C (°F)	-51 to +121 (-60 to +250)	
Humidity		Hermetically sealed	
Max. Operational Shock (peak)	g pk	5000	
Base Strain Sensitivity	Equiv. g/μ strain	0.08	0.05
Thermal Transient Sensitivity	Equiv. %/°C (%/°F)	0.05 (0.03)	
Thermal Shock Sensitivity	ms ² /°C (g/°F)	2.6 (0.15)	
Physical Characteristics			
Dimensions		See outline drawing	
Weight	gram (oz.)	0.6 (0.021)	1.0 (0.035)
Case Material		Titanium	
Connector		3–56 UNF thread	
Mounting		Adhesive	

a. Individual frequency response calibration up to 10 kHz

All values are typical at 25°C (77°F) unless measurement uncertainty is specified



COMPLIANCE WITH STANDARDS



Compliance with EMC Directive and Low Voltage Directive of the EU



Compliance with the EMC requirements of Australia and New Zealand

Ordering Information

Types 4517 and 4517-002 include the following accessories:

- Carrying box
- Calibration chart
- Low noise cable fitted with 3–56 UNF connector to 10–32 UNF female connector, 1.2 m (4 ft)
- Removal wrench

OPTIONAL ACCESSORIES*

- AO 0531: PVC insulated flexible cable, 10–32 UNF to BNC, 5 m (16.4 ft), –5 to +70°C (+23 to +158°F)
- AO 0038: 260°C Teflon® low-noise cable, 10–32 UNF, length 1.2 m (4 ft)
- AO 0122: 250°C, reinforced super low noise cable, 10–32 UNF, 3 m (10 ft)
- AO 1382: Teflon low noise cable, double screened 10–32 UNF, 1.2 m (4 ft)
- JP 0145: Plug adaptor, BNC/10–32 UNF
- QS 0007: Tube of cyanoacrylate adhesive
- YJ 0216: Beeswax for mounting
- QA 0230: Removal wrench

SERVICE

- 4517-CAF: Miniature IEPE Accelerometer, Accredited Calibration
- 4517-CAI: Miniature IEPE Accelerometer, Accredited Calibration Performed as initial
- 4517-CTF: Miniature IEPE Accelerometer, Traceable Calibration
- 4517-CTI: Miniature IEPE Accelerometer, Traceable Calibration Performed as initial
- 4517-EW1: Miniature IEPE Accelerometer, Extended Warranty, one year extension

* Additional accessories and cables are available (see www.bksv.com)

Brüel & Kjær reserves the right to change specifications and accessories without notice

HEADQUARTERS: DK-2850 Nærum · Denmark · Telephone: +45 4580 0500
Fax: +45 4580 1405 · www.bksv.com · info@bksv.com

Australia (+61) 2 9889-8888 · Austria (+43) 1 865 74 00 · Brazil (+55) 11 5188-8166
Canada (+1) 514 695-8225 · China (+86) 10 680 29906 · Czech Republic (+420) 2 6702 1100
Finland (+358) 9-755 950 · France (+33) 1 69 90 71 00 · Germany (+49) 421 17 87 0
Hong Kong (+852) 2548 7486 · Hungary (+36) 1 215 83 05 · Ireland (+353) 1 807 4083
Italy (+39) 0257 68061 · Japan (+81) 3 5715 1612 · Korea (+82) 2 3473 0605
Netherlands (+31) 318 55 9290 · Norway (+47) 66 77 11 55 · Poland (+48) 22 816 75 56
Portugal (+351) 21 416 9040 · Singapore (+65) 377 4512 · Slovak Republic (+421) 25 443 0701
Spain (+34) 91 659 0820 · Sweden (+46) 8 449 8600 · Switzerland (+41) 44 8807 035
Taiwan (+886) 2 2502 7255 · United Kingdom (+44) 14 38 739 000 · USA (+1) 800 332 2040

Local representatives and service organisations worldwide

Brüel & Kjær